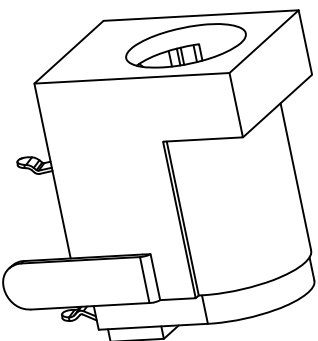
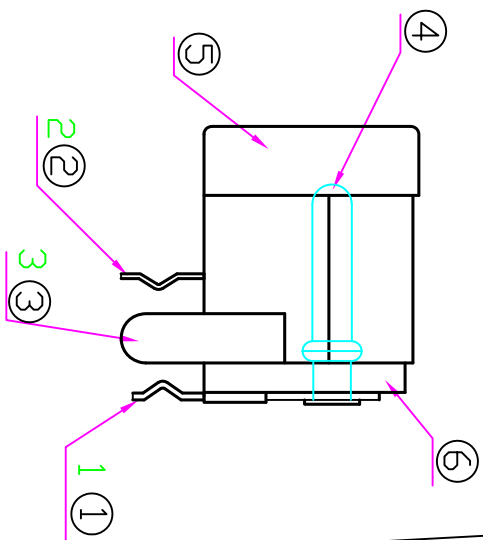


CUSTOMER COPY



ORDER INFORMATION

1805 XX 00 3 1

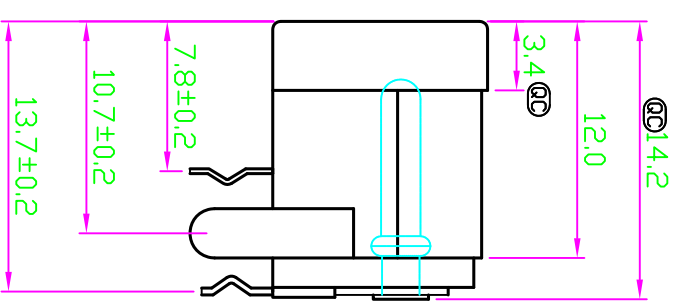
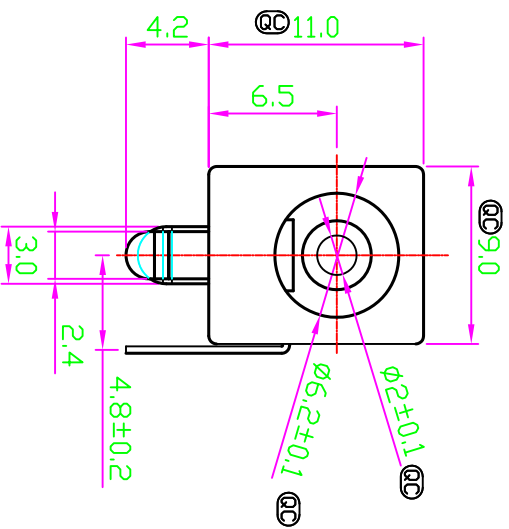
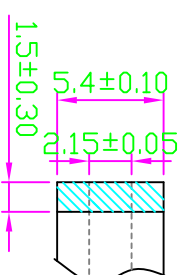
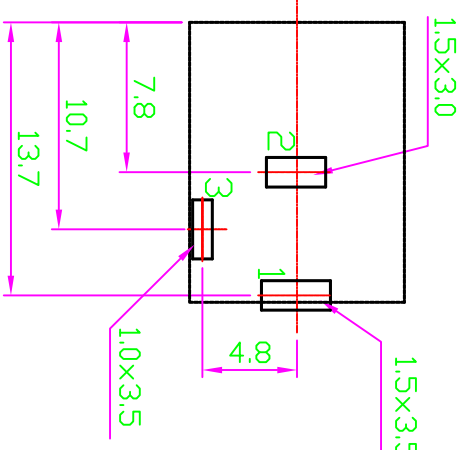
1: Plating Tin
No. of Contact

50: $\phi 2.0$ mm 90° with Kink Type
70: $\phi 2.5$ mm 90° with Kink Type

REV.	DESCRIPTION	APP.	DATE
A	NEW DESIGN	Amos	2011-08-05

PIN	SCHEMATIC
$\phi 2.0$	1
$\phi 2.5$	2

PCB LAYOUT TOP VIEW



NO.	DESCRIPTION	QTY	MATERIAL	REMARK
6	COVER	1	PBT (Black)	
5	HOUSING	1	PBT (Black)	
4	PIN	1	H62 $\phi=2.0$	CuSn-Plated
3	TERMINAL	1	BRASS t=0.35	Ag-Plated
2	TERMINAL	1	PHOSPHOR BRONZE t=0.25	Ag-Plated
1	TERMINAL	1	BRASS t=0.40	Ag-Plated



钰满荣企业股份有限公司 ACME LUX CO., LTD.
TEL: 886-2-85124595 FAX: 886-2-85124322

0.0±0.30	SCALE: 1:1	TITLE:	PART NO.:
0.00±0.25	UNIT: mm	DC Power Jack Connector	APP BY: Hung
0.000±0.2			CHK BY: Cheryl

	MATL: RoHS	DWG. NO. C1805XX0031	DR BY: Amos
--	------------	----------------------	-------------

